

FEDERAL SUPPLY CLASS
5306

REV.
B

AS3167™

RATIONALE

REVISE LEAD THREAD CHAMFER PER AS1132, ADD NEW DATUM C AND ADD SECONDARY DATUM TO POSITION REQUIREMENT FOR THREAD MAJOR DIAMETER, ADD NEW NOTE FOR DISPOSITION OF EXISTING INVENTORY, ADD FEDERAL SUPPLY CLASS, UPDATE NOTE 8.

SAE Technical Standards Board Rules provide that: "This report is published by SAE to advance the state of technical and engineering sciences. The use of this report is entirely voluntary, and its applicability and suitability for any particular use, including any patent infringement arising therefrom, is the sole responsibility of the user." SAE reviews each technical report at least every five years at which time it may be revised, reaffirmed, stabilized, or cancelled. SAE invites your written comments and suggestions.

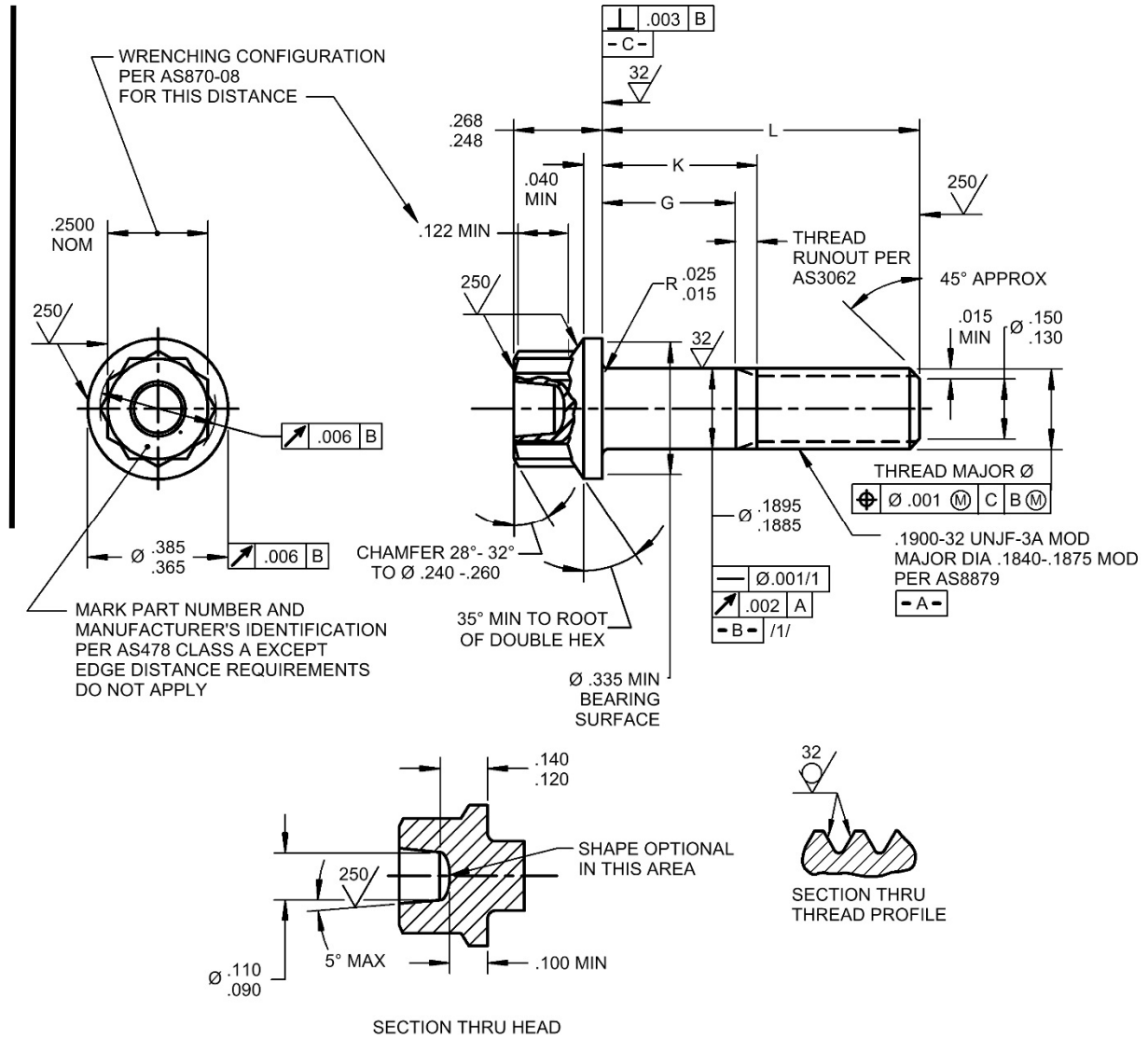
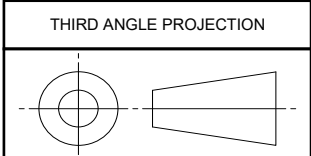


FIGURE 1 - BOLT

For more information on this standard, visit <https://www.sae.org/standards/content/AS3167B/>



CUSTODIAN: E-25		PROCUREMENT SPECIFICATION: AS7474 /8/	
	AEROSPACE STANDARD		AS3167™ SHEET 1 OF 3
	BOLT, MACHINE-DOUBLE HEX EXTENDED WASHER HEAD, CLOSE TOLERANCE SHANK, CORROSION RESISTANT STEEL (UNS S17400), 140 KSI UTS MIN, .1900-32, UNJF-3A		

ISSUED 1976-03 REAFFIRMED 2006-10 REVISED 2020-03